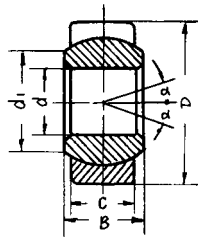


**SPHERICAL PLAIN RADIAL BEARINGS WITH FITTING CRACK.
TWO SEALS AND FITTING CRACK, FITTING GROOVE.**



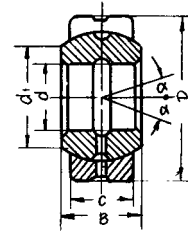
**GE...E
GEG...E**

Equivalent SKF

GE...E

Equivalent INA

GE...DO
GE...FO



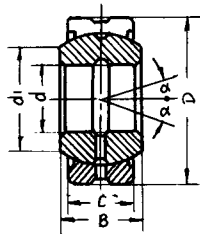
**GE...ES
GEG...ES**

GE...ES
GEH...ES

GE...DO
GE...FO

SKF: GE...E/ES GE...ES-2RS INA: GE...DO GE...DO-2RS		Dimensions mm					Rating load		a *	Weight
		d	D	B	C	d ₁ min.	Dynamic KN	Static KN		
GE4E		4	12	5	3	6	2	10	16	0.0033
GE5S		5	14	6	4	7	3,4	17	13	0.0038
GE6E		6	14	6	4	8	3,4	17	13	0.0042
GE8E		8	16	8	5	10	5,5	27	15	0.0075
GE10E		10	19	9	6	13	8,1	40	12	0,011
GE12E		12	22	10	7	15	10	54	10	0.015
GE15ES	GE15ES-2RS	15	26	12	9	18	17	85	8	0,027
GE17ES	GE17ES-2RS	17	30	14	10	20	21	106	10	0,041
GE20ES	GE20ES-2RS	20	35	16	12	24	30	146	9	0,066
GE25ES	GE25ES-2RS	25	42	20	16	29	48	240	7	0,119
GE30ES	GE30ES-2RS	30	47	22	18	34	62	310	6	0,153
GE35ES	GE35ES-2RS	35	55	25	20	39	80	400	6	0,233
GE40ES	GE40ES-2RS	40	62	28	22	45	100	500	7	0,306
GE45ES	GE45ES-2RS	45	68	32	25	50	127	640	7	0,427
GE50ES	GE50ES-2RS	50	75	35	28	55	156	780	6	0,546
GE60ES	GE60ES-2RS	60	90	44	36	66	245	1220	6	1,045
GE70ES	GE70ES-2RS	70	105	49	40	77	315	1560	6	1,55
GE80ES	GE80ES-2RS	80	120	55	45	88	400	2000	6	2,31
GE90ES	GE90ES-2RS	90	130	60	50	98	490	2450	5	2,75
GE100ES	GE100ES-2RS	100	150	70	55	109	610	3050	7	4,45
GE110ES	GE110ES-2RS	110	160	70	55	120	655	3250	6	4,82
GE120ES	GE120ES-2RS	120	180	85	70	130	950	4750	6	8,05
GE140ES	GE140ES-2RS	140	210	90	70	150	1080	5400	7	11,02
GE160ES	GE160ES-2RS	160	230	105	80	170	1370	6800	8	14,01
GE180ES	GE180ES-2RS	GE180DS	180	260	105	80	1530	7650	6	18,65
GE200ES	GE200ES-2RS	GE200DS	200	290	130	100	2120	10600	7	28,03
GE220ES	GE220ES-2RS	GE220DS	220	320	135	100	2320	11600	8	35,91
GE240ES	GE240ES-2RS	GE240DS	240	340	140	100	2.550	12700	8	39,91
GE260ES	GE260ES-2RS	GE260DS	260	370	150	110	3050	15300	7	51,84
GE280ES	GE280ES-2RS	GE280DS	280	400	155	120	3550	18000	6	65,36
GE300ES	GE300ES-2RS	GE300DS	300	430	165	120	3800	19000	7	78,07

**SPHERICAL PLAIN RADIAL BEARINGS WITH FITTING CRACK.
TWO SEALS AND FITTING CRACK, FITTING GROOVE.**



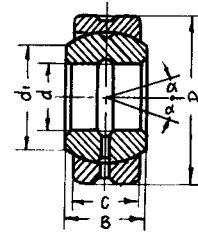
**GE...ES-2RS
GEG...ES-2RS**

Equivalente SKF

GE...ES-2RS
GEH...ES-2RS

Equivalente INA

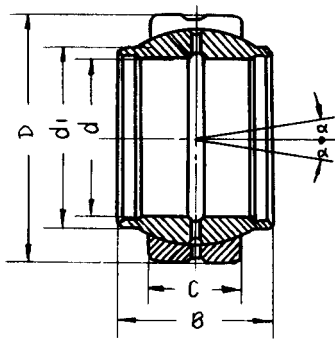
GE...DO-2RS
GE...FO-2RS



**GE...DS
GEG...DS**

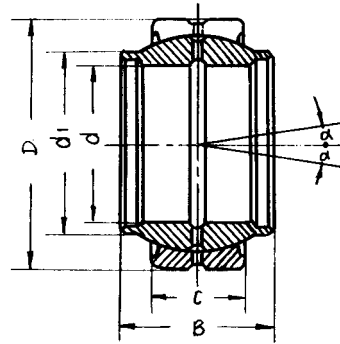
SKF: GEH...ES GEH...ES-2RS INA: GE...FO GE...FO-2RS			Dimensions mm					Rating load		a * @	Weight + kg
			d	D	B	C	d ₁ min.	Dynamic KN	Static KN		
GEG4E			4	14	7	4	7	3,4	17	20	0.0045
GEG5E			5	16	9	5	8	5,5	27	21	0.0066
GEG6E			6	16	9	5	9	5,5	27	21	0.0081
GEG8E			8	19	11	6	11	8,1	40	21	0.014
GEG10E			10	22	12	7	13	10	54	18	0,021
GEG12E			12	26	15	9	16	17	85	18	0.033
GEG15ES	GEG15ES-2RS		15	30	16	10	19	21	106	16	0.049
GEG17ES	GEG17ES-2RS		17	35	20	12	21	30	146	19	0.083
GEG20ES	GEG20ES-2RS		20	42	25	16	24	48	240	17	0.153
GEG25ES	GEG25ES-2RS		25	47	28	18	29	62	310	17	0.203
GEG30ES	GEG30ES-2RS		30	55	32	20	34	80	400	17	0.304
GEG35ES	GEG35ES-2RS		35	62	35	22	39	100	500	16	0.408
GEG40ES	GEG40ES-2RS		40	68	40	25	44	127	640	17	0.542
GEG45ES	GEG45ES-2RS		45	75	43	28	50	156	780	15	0.713
GEG50ES	GEG50ES-2RS		50	90	56	36	57	245	1220	17	1.44
GEG60ES	GEG60ES-2RS		60	105	63	40	67	315	1560	17	1.60
GEG70ES	GEG70ES-2RS		70	120	70	45	77	400	2000	16	3.01
GEG80ES	GEG80ES-2RS		80	130	75	50	87	490	2450	14	3.64
GEG90ES	GEG90ES-2RS		90	150	85	55	98	610	3050	15	5.22
GEG100ES	GEG100ES-2RS		100	160	85	55	110	655	3250	14	6.05
GEG110ES	GEG110ES-2RS		110	180	100	70	122	950	4750	12	9.68
GEG120ES	GEG120ES-2RS		120	210	115	70	132	1080	5400	16	14.72
GEG140ES	GEG140ES-2RS		140	230	130	80	151	1370	6.800	16	19.01
GEG160ES	GEG160ES-2RS	GEG160DS	160	260	135	80	176	1530	7650	16	20.02
GEG180ES	GEG180ES-2RS	GEG180DS	180	290	155	100	196	2120	10600	14	32.21
GEG200ES	GEG200ES-2RS	GEG200DS	200	320	165	100	220	2320	11600	15	45.28
GEG220ES	GEG220ES-2RS	GEG220DS	220	340	175	100	243	2550	12700	16	51.12
GEG240ES	GEG240ES-2RS	GEG240DS	240	370	190	110	263	3050	15300	15	65.12
GEG260ES	GEG260ES-2RS	GEG260DS	260	400	205	120	285	3550	18000	15	82.44
GEG280ES	GEG280ES-2RS	GEG280DS	280	430	210	120	310	3800	19000	15	97.21

**SPHERICAL PLAIN RADIAL BEARINGS WITH FITTING CRACK.
TWO SEALS AND FITTING CRACK, FITTING GROOVE.**



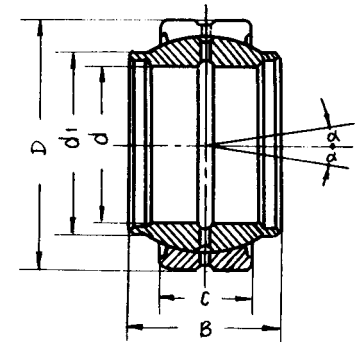
GEEW...ES

Equivalente SKF GEG...ES
Equivalente INA GE...LO



GEEW...ES-2RS

-
-



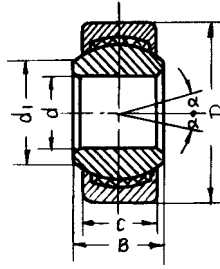
GEEM...ES-2RS

GEM...ES-2RS
GE...HO-2RS

SKF: GEG...ES INA: GE...LO		Dimensions mm					Rating load		a *	Weight + kg
		d	D	B	C	d ₁ min.	Dynamic KN	Static KN		
GEEW12ES*	GEEW12ES-2RS*	12	22	12	7	15,5	10	54	4	0.022
GEEW15ES	GEEW15ES-2RS	15	26	15	9	18,5	17	85	5	0.031
GEEW16ES	GEEW16ES-2RS	16	28	16	9	20	17	85	4	0.035
GEEW17ES	GEEW17ES-2RS	17	30	17	10	21	21	106	7	0.044
GEEW20ES	GEEW20ES-2RS	20	35	20	12	25	30	146	4	0.071
GEEW25ES	GEEW25ES-2RS	25	42	25	16	30,5	48	240	4	0.131
GEEW30ES	GEEW30ES-2RS	30	47	30	18	34	62	310	4	0.168
GEEW32ES	GEEW32ES-2RS	32	52	32	18	37	62	310	4	0.182
GEEW35ES	GEEW35ES-2RS	35	55	35	20	40	80	400	4	0.253
GEEW40ES	GEEW40ES-2RS	40	62	40	22	46	100	500	4	0.338
GEEW45ES	GEEW45ES-2RS	45	68	45	25	52	127	640	4	0.481
GEEW50ES	GEEW50ES-2RS	50	75	50	28	57	156	780	4	0.558
GEEW60ES	GEEW60ES-2RS	60	90	60	36	68	245	1220	3	1.15
GEEW63ES	GEEW63ES-2RS	63	95	63	36	71,5	245	1220	4	1.23
GEEW70ES	GEEW70ES-2RS	70	105	70	40	78	315	1560	4	1.71
GEEW80ES	GEEW80ES-2RS	80	120	80	45	91	400	2000	4	2.39
GEEW100ES	GEEW100ES-2RS	100	150	100	55	113	610	3050	4	4.80
GEEW125ES	GEEW125ES-2RS	125	180	125	70	138	950	4750	4	8,50

* Scanalatura e foro lubrificazione solo sull'anello esterno - Alubrication groove and holes in the outer ring only.

SKF: GEM...ES-2RS INA: GE...HO-2RS		Dimensions mm					Rating load		a *	Weight + kg
		d	D	B	C	d ₁ min.	Dynamic KN	Static KN		
GEEM20ES-2RS		20	35	24	12	24	30	146	6	0.073
GEEM25ES-2RS		25	42	29	16	29	48	240	4	0.13
GEEM30ES-2RS		30	47	30	18	34	62	310	4	0.17
GEEM35ES-2RS		35	55	35	20	40	80	400	4	0.25
GEEM40ES-2RS		40	62	38	22	45	100	500	4	0.35
GEEM45ES-2RS		45	68	40	25	52	127	640	4	0.49
GEEM50ES-2RS		50	75	43	28	57	156	780	4	0.60
GEEM60ES-2RS		60	90	54	36	68	245	1220	3	1.15
GEEM70ES-2RS		70	105	65	40	78	315	1560	4	1.65
GEEM80ES-2RS		80	120	74	45	90	400	2000	4	2.50



GE...C
GEG...ET-2RS

Equivalent SKF

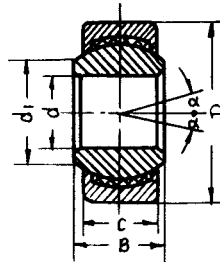
GE...C
GEH...L-2RS

Equivalent INA

GE...UK
GE...UK-2RS

SKF: GE...C INA: GE...UK	Dimensions mm					Rating load		a * @	Weight + kg
	d	D	B	C	d ₁ min.	Dynamic KN	Static KN		
GE4C	4	12	5	3	6	2.1	5.4	16	0.0033
GE5C	5	14	6	4	7	3.6	9.1	13	0.0038
GE6C	6	14	6	4	8	3.6	9.1	13	0.0042
GE8C	8	16	8	5	10	5.8	14	15	0.0075
GE10C	10	19	9	6	13	8.6	21	12	0.011
GE12C	12	22	10	7	15	11	28	10	0.015
GE15C	15	26	12	9	18	18	45	8	0.027
GE17C	17	30	14	10	20	22	56	10	0.041
GE20C	20	35	16	12	24	31	78	9	0.066
GE25C	25	42	20	16	29	51	127	7	0.119
GE30C	30	47	22	18	34	65	166	6	0.163

SKF: GE...L-2RS INA: GE...UK-2RS	Dimensions mm					Rating load		a * @	Weight + kg
	d	D	B	C	d ₁ min.	Dynamic KN	Static KN		
GE20ET-2RS	20	35	16	12	24	31	78	9	0.066
GE25ET-2RS	25	42	20	16	29	51	127	7	0.119
GE30ET-2RS	30	47	22	18	34	65	166	6	0.163
GE35ET-2RS	35	55	25	20	—	110	220	6	0.25
GE40ET-2RS	40	62	28	22	—	140	280	6	0.30
GE45ET-2RS	45	68	32	25	—	180	350	6	0.35
GE50ET-2RS	50	75	35	28	—	220	430	6	0.50
GE60ET-2RS	60	90	44	36	—	340	690	6	1.00
GE70ET-2RS	70	105	49	40	—	430	870	6	1.40
GE80ET-2RS	80	120	55	45	—	560	1140	6	2.00
GE90ET-2RS	90	130	60	50	—	690	1350	6	2.50
GE100ET-2RS	100	150	70	55	—	850	1700	6	4.00
GE110ET-2RS	110	160	70	55	—	900	1850	6	4.50
GE120ET-2RS	120	180	85	70	—	1300	2700	6	7.20
GE140ET-2RS	140	210	90	70	—	1500	3000	6	10.00

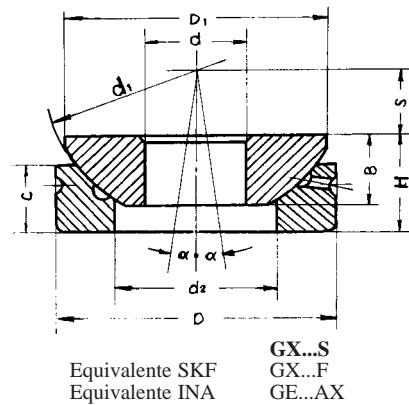
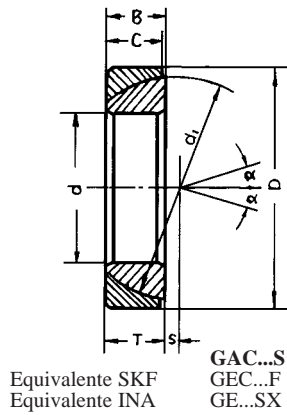


GE...C
 GEG...ET-2RS
 Equivalente SKF
 GE...C
 GEH...C-2RS
 Equivalente INA
 GE...FW
 GE...FW-2RS

SKF: GEH...C INA: GE...FW	Dimensions mm					Rating load		a * @	Weight + kg
	d	D	B	C	d ₁ min.	Dynamic KN	Static KN		
GEG4C	4	14	7	4	7	3.6	9.1	20	0.0045
GEG5C	5	16	9	5	8	5.8	14	21	0.0066
GEG6C	6	16	9	5	9	5.8	14	21	0.0081
GEG8C	8	19	11	6	11	8.8	21	21	0.014
GEG10C	10	22	12	7	13	11	28	18	0.021
GEG12C	12	26	15	9	16	18	45	18	0.033
GEG15C	15	30	16	10	19	22	56	16	0.049
GEG17C	17	35	20	12	21	31	78	19	0.083
GEG20C	20	42	25	16	24	51	127	17	0.153
GEG25C	25	47	28	18	29	65	166	17	0.203
GEG30C	30	55	32	20	34	83	212	17	0.304

SKF: GEH...C-2RS INA: GE...FW-2RS	Dimensions mm					Rating load		a * @	Weight + kg
	d	D	B	C	d ₁ min.	Dynamic KN	Static KN		
GEG30ET-2RS	30	55	32	20	—	110	220	17	0.30
GEG35ET-2RS	35	62	35	22	—	140	270	17	0.35
GEG40ET-2RS	40	68	40	25	—	180	350	15	0.50
GEG45ET-2RS	45	75	43	28	—	220	430	15	0.60
GEG50ET-2RS	50	90	56	36	—	340	680	15	1.40
GEG60ET-2RS	60	105	63	40	—	430	850	15	2.00
GEG70ET-2RS	70	120	70	45	—	550	1100	16	2.80
GEG80ET-2RS	80	130	75	50	—	680	1350	14	3.40
GEG90ET-2RS	90	150	85	55	—	850	1700	15	5.00
GEG100ET-2RS	100	160	85	55	—	900	1800	14	5.50
GEG110ET-2RS	110	180	100	70	—	1300	2700	12	9.00
GEG120ET-2RS	120	210	115	70	—	1500	3000	15	14.50
GEG140ET-2RS	140	230	130	80	—	1900	3500	15	18.20

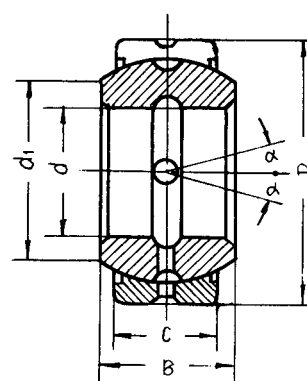
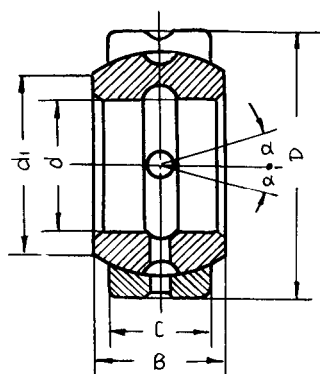
**ANGULAR CONTACT SPHERICAL PLAIN BEARINGS.
SPHERICAL PLAIN THRUST BEARINGS.**



SKF: GEC...F INA: GE...SX	Dimensions mm							Rating load		a * @	Weight + kg
	d	D	B	C	T	d ₁	S	Dynamic KN	Static KN		
GAC25S	25	47	15	14	15	42	0.6	47.5	236	3.5	0.148
GAC30S	30	55	17	15	17	49.5	1.3	63	315	3	0.208
GAC35S	35	62	18	16	18	55.5	2.1	76.5	390	3	0.268
GAC40S	40	68	19	17	19	62	2.8	90	450	3	0.327
GAC45S	45	75	20	18	20	68.5	3.5	106	530	3	0.416
GAC50S	50	80	20	19	20	74	4.3	118	585	3	0.455
GAC60S	60	95	23	21	23	88.5	5.7	160	800	3	0.714
GAC70S	70	110	25	23	25	102	7.2	208	1040	2.5	1.04
GAC80S	80	125	29	25.5	29	115	8.6	250	1250	2.5	1.54
GAC90S	90	140	32	28	32	128.5	10.1	320	1600	2.5	2.09
GAC100S	100	150	32	31	32	141	11.6	345	1760	2	2.34
GAC110S	110	170	38	34	38	155	13	475	2360	2	3.68
GAC120S	120	180	38	37	38	168	14.5	510	2550	2	3.97

SKF: GX...F INA: GE...AX	Dimensions mm									Rating load		a * @	Weight + kg
	d	D	H	B	C	d ₁	d ₂	D ₁	S	Dynamic KN	Static KN		
GX10S	10	30	9.5	7.5	7	32	15.5	27.5	7	24	120	9	0.036
GX12S	12	35	13	9.5	9.3	38	18	32	8	32.5	163	8	0.072
GX15S	15	42	15	11	10.8	46	22.5	39	10	52	260	8	0.108
GX17S	17	47	16	11.8	11.2	52	27	43.5	11	58.5	300	10	0.137
GX20S	20	55	20	14.5	13.8	60	31	50	12.5	75	375	9	0.246
GX25S	25	62	22.5	16.5	16.7	68	34.5	58.5	14	129	640	7	0.415
GX30S	30	75	26	19	19	82	42	70	17.5	170	850	7	0.614
GX35S	35	90	28	22	20.7	98	50.5	84	2.2	260	1290	8	0.973
GX40S	40	105	32	27	21.5	114	59	97	24.5	375	1860	9	1.59
GX45S	45	120	36.5	31	25.5	128	67	110	27.5	490	2450	9	2.24
GX50S	50	130	42.5	33	30.5	139	70	120	30	655	3250	7	3.14
GX60S	60	150	45	37	34	160	84	140	35	735	3650	8	4.63
GX70S	70	160	50	42	36.5	176	94.5	153	35	800	4050	8	5.37
GX80S	80	180	50	43.5	38	197	107.5	172	42.5	1040	5200	8	6.91
GX100S	100	210	59	51	46	222	127	198	45	1200	6000	8	10.98
GX120S	120	230	64	53.5	50	250	145	220	52.5	1250	6200	6	13.97

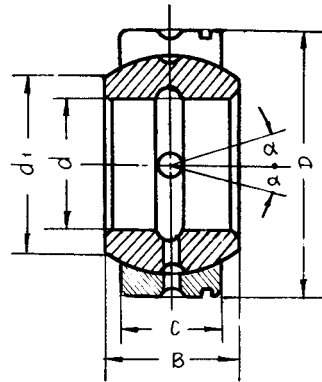
**SPHERICAL PLAIN RADIAL BEARING DIMENSION IN INCHES
WITH FITTING CRACK TWO SEALS AND FITTING CRACK.**



GEZ...ES
 Equivalente SKF GEZ...ES
 Equivalente INA GE...ZO

GEZ...ES-2RS
 GEZ...ES 2RS
 GE...ZO 2RS

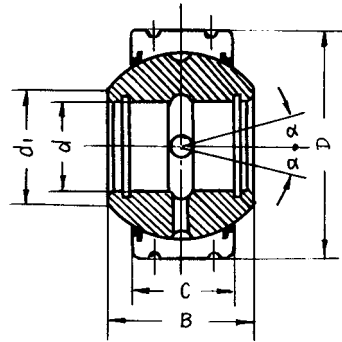
SKF: GEZ...ES GEZ...ES-2R INA: GE...ZO GE...ZO-2RS		Dimensions mm					Rating load		a * @	Weight + kg
		d	D	B	C	d ₁ min.	Dynamic KN	Static KN		
GEZ12ES		12.7	22.225	11.1	9.525	14.1	13.7	41.5	6	0.022
GEZ15ES		15.875	26.988	13.894	11.913	18.3	22.0	65.5	6	0.036
GEZ19ES		19.05	31.75	16.662	14.275	21.8	31.5	95.0	6	0.053
GEZ22ES		22.225	36.513	19.431	16.662	25.4	4.25	127	6	0.085
GEZ25ES	GEZ25ES-2RS	25.4	41.275	22.225	19.05	27.6	56.0	166	6	0.121
GEZ31ES	GEZ31ES-2RS	31.75	50.8	27.762	23.8	36.0	86.5	260	6	0.232
GEZ34ES	GEZ34ES-2RS	34.925	55.563	30.15	26.187	38.6	102	310	6	0.351
GEZ38ES	GEZ38ES-2RS	38.1	61.913	33.325	28.575	41.2	125	375	6	0.422
GEZ44ES	GEZ44ES-2RS	44.45	71.438	38.887	33.325	50.7	170	510	6	0.641
GEZ50ES	GEZ50ES-2RS	50.8	80.963	44.45	38.1	57.9	224	670	6	0.932
GEZ57ES	GEZ57ES-2RS	57.15	90.488	50.013	42.85	64.9	280	850	6	1.33
GEZ63ES	GEZ63ES-2RS	63.5	100.013	55.55	47.625	73.3	355	1060	6	1.85
GEZ69ES	GEZ69ES-2RS	69.85	111.125	61.112	52.375	79.1	415	1250	6	2.42
GEZ76ES	GEZ76ES-2RS	76.2	120.65	66.675	57.15	86.8	500	1500	6	3.10
GEZ82ES	GEZ82ES-2RS	82.55	130.175	72.238	61.9	94.5	585	1760	6	3.82
GEZ88ES	GEZ88ES-2RS	88.9	139.7	77.775	66.675	101.6	680	2040	6	4.79
GEZ95ES	GEZ95ES-2RS	95.25	149.225	83.337	71.425	108.7	780	2360	6	5.78
GEZ101ES	GEZ101ES-2RS	101.6	158.75	88.9	76.2	115.8	900	2650	6	6.99
GEZ107ES	GEZ107ES-2RS	107.95	168.275	94.463	80.95	122.8	1000	3000	6	8.41
GEZ114ES	GEZ114ES-2RS	114.3	177.8	100.013	85.725	130.6	1120	3400	6	9.79
GEZ120ES	GEZ120ES-2RS	120.65	187.325	105.562	90.475	137.6	1250	3750	6	11.5
GEZ127ES	GEZ127ES-2RS	127	196.85	111.125	95.25	145.3	1400	4150	6	13.5
GEZ152ES	GEZ152ES-2RS	152.4	222.25	120.65	104.775	168.2	1730	5200	5	17.5



GE...XS-K

	Dimensions mm					Rating load		a * @	Weight + kg
	d	D	B	C	d ₁ min.	Dynamic KN	Static KN		
GE12XS K	12	22	11	9	14	12.9	39.2	7	0.019
GE15XS K	15	26	13	11	17.5	19.5	57.8	6	0.028
GE20XS K	20	32	16	14	23	31.3	94.8	4	0.053
GE22XS K	22	37	19	16	25.5	40.3	122	6	0.085
GE25XS K	25	42	21	18	29	51.1	155	5	0.116
GE30XS K	30	50	27	23	36	81.2	248	6	0.225
GE35XS K	35	55	30	26	40	103	314	5	0.302
GE40XS K	40	62	33	28	44	122	370	6	0.375
GE45XS K	45	72	36	31	50.5	152	461	5	0.598
GE50XS K	50	80	42	36	58.5	225	622	5	0.869
GE55XS K	55	90	47	40	64.5	253	768	6	1.26
GE60XS K	60	100	53	45	72.5	321	980	6	1.72
GE65XS K	65	105	55	47	76	350	1060	5	2.05
GE70XS K	70	110	58	50	81.5	396	1220	5	2.23
GE75XS K	75	120	64	55	89.5	478	1450	5	3.01
GE80XS K	80	130	70	60	97.5	571	1730	5	3.98
GE85XS K	85	135	74	63	100.5	624	1890	6	4.31
GE90XS K	90	140	76	65	105.5	670	2030	5	4.72
GE95XS K	95	150	82	70	113.5	776	2350	5	6.05
GE100XS K	100	160	88	75	121.5	891	2700	5	7.43
GE110XS K	110	170	93	80	130	1010	3070	5	8.54
GE115XS K	115	180	98	85	132.5	1110	3370	5	10.3
GE120XS K	120	190	105	90	140	1250	3780	6	12.4
GE130XS K	130	200	110	95	148.5	1390	4220	5	13.8
GE150XS K	150	220	120	105	166	1710	5170	5	17.1

SPHERICAL PLAIN RADIAL BEARINGS WITH TWO SEALS AND TWO-PIECE.



GEK...XS-2RS

	Dimensions mm					Rating load		a *	Weight + kg
	d	D	B	C	d ₁ min.	Dynamic KN	Static KN		
GEK25XS-2RS	25	68	40	28	30	117	590	19	0.516
GEK30XS-2RS	30	70	47	32	37.3	163	813	19	0.785
GEK35XS-2RS	35	80	54	38	44.5	226	1130	17	1.23
GEK40XS-2RS	40	90	64	44	48	298	1490	19	1.83
GEK45XS-2RS	45	100	72	52	54	398	1990	17	2.56
GEK50XS-2RS	50	110	80	58	60	493	2450	17	3.43
GEK55XS-2RS	55	125	90	64	63.2	598	2990	' 19	5.02
GEK60XS-2RS	60	135	98	72	69.3	732	3660	17	6.43