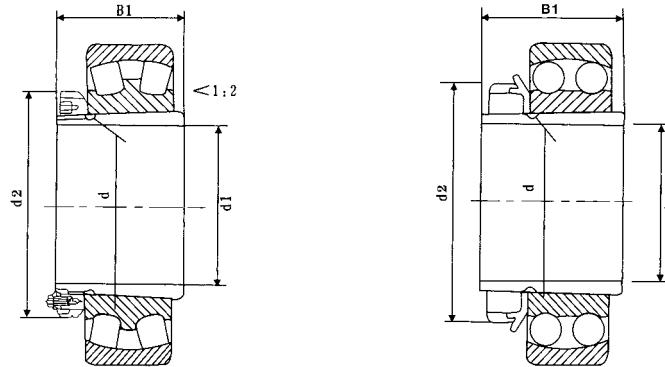


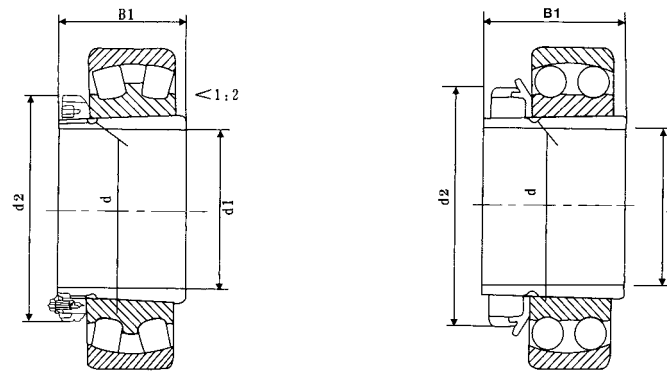
H2 Series

Type	Dimensions mm(in)				Compatible Bearing	Weight kg (lb)
	d	d ₁	B ₁	d ₂	Ball Bearing	
H204	20 0.7874	17 0.669	24 0.945	32 1.260	1204K	0.04 0.088
H205	25 0.9842	20 0.787	26 1.024	38 1.496	1205K	0.07 0.154
H206	30 1.1811	25 0.984	27 1.063	45 1.772	1206K	0.10 0.221
H207	35 1.3779	30 1.181	29 1.142	52 2.047	1207K	0.13 0.287
H208	40 1.5748	35 1.378	31 1.220	58 2.283	1208K	0.17 0.375
H209	45 1.7716	40 1.575	32 1.260	65 2.559	1209K	0.23 0.507
H210	50 1.9685	45 1.772	35 1.378	70 2.756	1210K	0.27 0.595
H211	55 2.1653	50 1.969	37 1.457	75 2.953	1211K	0.31 0.684
H212	60 2.3622	55 2.165	38 1.496	80 3.150	1212K	0.35 0.772
H213	65 2.5590	60 2.362	40 1.575	85 3.346	1213K	0.40 0.882
H214	70 2.7559	60 2.362	41 1.614	92 3.622	1214K	0.55 1.213
H215	75 2.9527	65 2.559	43 1.693	98 3.858	1215K	0.71 1.566
H216	80 3.1496	70 2.756	46 1.811	105 4.134	1216K	0.88 1.940
H217	85 3.3464	75 2.953	50 1.969	110 4.331	1217K	1.02 2.249
H218	90 3.5433	80 3.150	52 2.047	120 4.7240	1218K	1.19 2.624
H219	95 3.7401	85 3.346	55 2.165	125 4.921	1219K	1.37 3.021
H220	100 3.9370	90 3.543	58 2.283	130 5.118	1220K	1.49 3.285
H222	110 4.3307	100 3.937	63 2.480	145 5.709	1222K	1.93 4.256



H3 Series

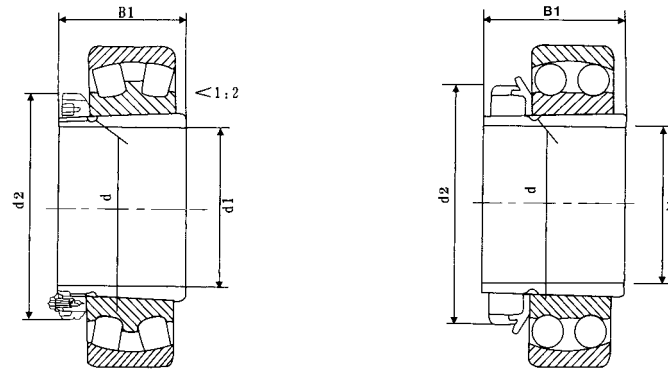
Type	Dimensions mm(in)				Compatible Bearing				Weight kg (lb)
	d	d ₁	B ₁	d ₂	Ball Bearing		Roller Bearing		
H304	20 0.7874	17 0.669	28 1.102	32 1.260	1304K	2204K	21304CK		0.05 0.110
H305	25 0.9842	20 0.787	29 1.142	38 1.496	1305K	2205K	21305CK		0.08 0.176
H306	30 1.1811	25 0.984	31 1.220	45 1.772	1306K	2206K	21306CK		0.11 0.221
H307	35 1.3779	30 1.181	35 1.378	52 2.047	1307K	2207K	21307CK		0.14 0.309
H308	40 1.5748	35 1.378	36 1.417	58 2.283	1308K	2208K	21308CK	22208CK	0.19 0.419
H309	45 1.7716	40 1.575	39 1.535	65 2.559	1309K	2209K	21309CK	22209CK	0.25 0.551
H310	50 1.9685	45 1.772	42 1.654	70 2.756	1310K	2210K	21310CK	22210CK	0.30 0.662
H311	55 2.1633	50 1.969	45 1.772	75 2.953	1311K	2211K	21311CK	22211CK	0.35 0.772
H312	60 2.3622	55 2.165	47 1.850	80 3.150	1312K	2212K	21312CK	22212CK	0.39 0.860
H313	65 2.5590	60 2.362	50 1.969	85 3.346	1313K	2213K	21313CK	22213CK	0.46 1.014
H314	70 2.7559	60 2.362	52 2.047	92 3.622	1314K	2214K	21314CK	22214CK	0.72 1.588
H315	75 2.9527	65 2.559	55 2.165	98 3.858	1315K	2215K	21315CK	22215CK	0.83 1.830
H316	80 3.1496	70 2.756	59 2.323	105 4.134	1316K	2216K	21316CK	22216CK	1.03 2.271
H317	85 3.3464	75 2.953	63 2.480	110 4.331	1317K	2217K	21317CK	22217CK	1.18 2.602
H318	90 3.5433	80 3.150	65 2.559	120 4.724	1318K	2218K	21318CK	22218CK	1.37 3.021
H319	95 3.7401	85 3.346	68 2.677	125 4.921	1319K	2219K	21319CK	22219CK	1.56 3.440
H320	100 3.9370	90 3.543	71 2.795	130 5.118	1320K	2220K	21320CK	22220CK	1.69 3.726
H322	110 4.3307	100 3.937	77 3.031	145 5.709	1322K	2222K	21322CK	22222CK	2.18 4.807



H30 Series

Type	Dimensions mm(in)				Compatible Bearing	Weight kg (lb)
	d	d ₁	B ₁	d ₂	Ball Bearing	
H3024	120 4.7244	110 4.331	72 2.835	145 5.709	23024CK	1.93 4.256
H3026	130 5.1181	115 4.528	80 3.150	155 6.102	23026CK	2.85 6.284
H3028	140 5.5118	125 4.921	82 3.228	165 6.496	23028CK	3.16 6.968
H3030	150 5.9055	135 5.315	87 3.425	180 7.087	23030CK	3.89 8.577
H3032	160 6.2992	140 5.512	93 3.661	190 7.480	23032CK	5.21 11.488
H3034	170 6.6929	150 5.906	101 3.976	200 7.874	23034CK	5.99 13.208
H3036	180 7.0866	160 6.299	109 4.291	210 8.268	23036CK	6.83 15.060
H3038	190 7.4803	170 6.693	112 4.409	220 8.661	23038CK	7.45 16.427
H3040	200 7.8740	180 7.087	120 4.724	240 9.449	23040CK	9.19 20.264
H3044	220 8.6614	200 7.874	126 4.961	260 10.236	23044CK	10.30 22.712
H3048	240 9.4488	220 8.661	133 5.236	290 11.417	23048CK	13.20 29.106
H3052	260 10.2362	240 5.512	145 5.709	310 12.205	23052CK	15.30 33.737
H3056	280 11.0236	260 10.236	152 5.984	330 12.992	23056CK	17.70 39.029
H3060	300 11.8110	280 11.024	168 6.614	360 14.173	23060CK	22.80 50.274
H3064	320 12.5984	300 11.811	171 6.732	380 14.961	23064CK	24.60 54.243
H3068	340 13.3858	320 12.598	187 7.362	400 15.748	23068CK	28.70 63.284
H3072	360 14.1732	340 13.386	188 7.402	420 16.535	23072CK	30.50 67.253
H3076	380 14.9606	360 14.173	193 7.598	450 17.717	23076CK	35.80 78.939
H3080	400 15.7480	380 14.961	210 8.268	470 18.504	23080CK	41.50 91.508
H3084	420 16.5354	400 15.748	212 8.346	490 19.291	23084CK	43.60 96.138
H3088	440 17.3228	410 16.142	228 8.976	520 20.472	23088CK	65.50 144.428
H3092	460 18.1102	430 16.929	234 9.213	540 21.260	23092CK	69.40 153.027
H3096	480 18.8976	450 17.717	237 9.331	560 22.047	23096CK	73.50 162.068
H30/500	480 18.8976	450 17.717	237 9.331	560 22.047	23096CK	73.50 162.068

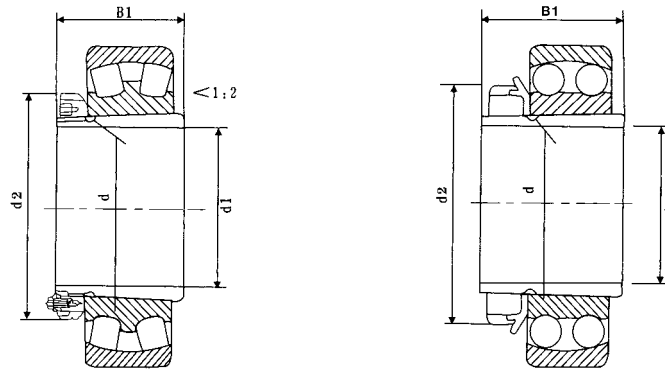
ADAPTER SLEEVES



H31 Series

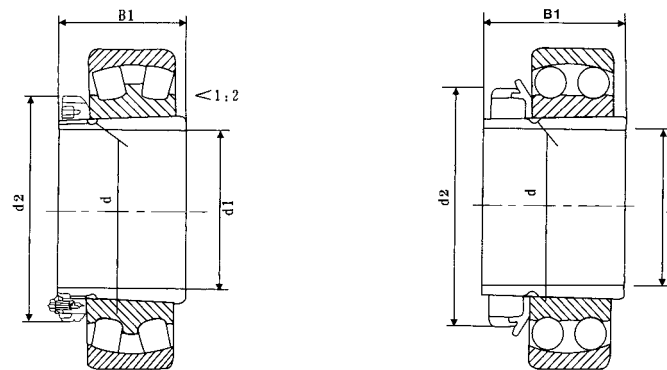
Type	Dimensions mm(in)				Compatible Bearing		Weight kg (lb)
	d	d ₁	B ₁	d ₂	Ball Bearing		
H3120	100 3.9370	90 3.543	76 2.992	130 5.118	23120CK		1.70 3.749
H3122	110 4.3307	100 3.937	81 3.189	145 5.709	23122CK	22222CK	2.25 4.961
H3124	120 4.7244	110 4.331	88 3.465	155 6.102	23124CK	22224CK	2.64 5.821
H3126	130 5.1181	115 4.528	92 3.622	165 6.496	23126CK	22226CK	3.66 8.070
H3128	140 5.5118	125 4.921	97 3.819	180 7.087	23128CK	22228CK	4.34 9.570
H3130	150 5.9055	135 5.315	111 4.370	195 7.677	23130CK	22230CK	5.52 12.172
H3132	160 6.2992	140 5.512	119 4.685	210 8.268	23132CK	22232CK	7.67 16.912
H3134	170 6.6929	150 5.906	122 4.0803	220 8.661	23134CK	22234CK	8.38 18.478
H3136	180 7.0866	160 6.299	131 5.157	230 9.055	23136CK	22236CK	9.50 20.948
H3138	190 7.4803	170 6.693	141 5.551	240 9.449	23138CK	22238CK	10.80 23.814
H3140	200 7.8740	180 7.087	150 5.906	250 9.843	23140CK	22240CK	12.10 26.681
H3144	220 8.6614	200 7.874	161 6.339	280 11.024	23144CK	22244CK	14.70 32.414
H3148	240 9.4488	220 8.661	172 6.772	300 11.811	23148CK	22248CK	17.30 38.147
H3152	260 10.2362	240 9.449	190 7.480	330 12.992	23152CK	22252CK	22.00 48.510
H3156	280 11.0236	260 10.236	195 7.677	350 13.780	23156CK	22256CK	24.50 54.023
H3160	300 11.8110	280 11.024	208 8.189	380 14.961	23160CK	22260CK	30.20 66.591
H3164	320 12.5984	300 11.811	226 8.898	400 15.748	23164CK	22264CK	34.90 76.955
H3168	340 13.3858	320 12.598	254 10.000	440 17.323	23168CK	22268CK	49.50 109.148
H3172	360 14.1732	340 13.386	259 10.197	460 18.110	23172CK	22272CK	54.50 120.173
H3176	380 14.9606	360 14.173	264 10.394	490 19.291	23176CK	22276CK	61.60 135.828
H3180	400 15.7480	380 14.961	272 10.709	520 20.472	23180CK	22280CK	70.80 156.114
H3184	420 16.5354	400 15.748	304 11.969	540 21.260	23184CK	22284CK	84.50 186.323
H3192	460 18.1102	430 16.929	326 12.835	580 22.835	23192CK	22292CK	119.00 255.780
H3196	480 18.8976	450 17.717	335 13.189	620 24.409	23196CK	22296CK	133.00 293.265
H31/500	500 19.6850	470 18.504	356 14.016	630 24.803	231/500CK	222/500CK	146.00 321.930

ADAPTER SLEEVES



H23 Series

Type	Dimensions mm(in)				Compatible Bearing		Weight kg (lb)
	d	d ₁	B ₁	d ₂	Ball Bearing	Roller Bearing	
H2304	20 0.7874	17 0.669	31 1.220	32 1.260	2304K		0.05 0.110
H2305	25 0.9842	20 0.787	35 1.378	38 1.496	2305K		0.09 0.198
H2306	30 1.1811	25 0.984	38 1.496	45 1.772	2306K		0.13 0.287
H2307	35 1.3779	30 1.181	43 1.693	52 2.047	2307K		0.17 0.375
H2308	40 1.578	35 1.378	46 1.811	58 2.283	2308K	22308CK	0.22 0.485
H2309	45 1.7716	40 1.575	50 1.969	65 2.559	2309K	22309CK	0.28 0.617
H2310	50 1.9685	45 1.772	55 2.165	70 2.756	2310K	22310CK	0.36 0.794
H2311	55 2.1653	50 1.969	59 2.323	75 2.953	2311K	22311CK	0.42 0.926
H2312	60 2.3622	55 2.165	62 2.441	80 3.150	2312K	22312CK	0.48 1.058
H2313	65 2.5590	60 2.362	65 2.559	85 3.346	2313K	22313CK	0.56 1.235
H2314	70 2.7559	60 2.362	68 2.677	92 3.622	2314K	22314CK	0.90 1.985
H2315	75 2.9527	65 2.559	73 2.874	98 3.858	2315K	22315CK	1.05 2.315
H2316	80 3.1496	70 2.756	78 3.071	105 4.134	2316K	22316CK	1.28 2.822
H2317	85 3.3464	75 2.953	82 3.228	110 4.331	2317K	22317CK	1.45 3.197
H2318	90 3.5433	80 3.150	86 3.386	120 4.724	2318K	22318CK	1.69 3.726
H2319	95 3.7401	85 3.346	90 3.543	125 4.921	2319K	22319CK	1.92 4.234
H2320	100 3.9370	90 3.543	97 3.819	130 5.118	2320K	22320CK	2.15 4.741
H2322	110 4.3307	100 3.937	105 4.134	145 5.709	2322K	22322CK	2.74 6.042
H2324	120 4.7244	110 4.331	112 4.409	155 6.102	2324K	22324CK	3.19 7.034
H2326	130 5.1181	115 4.528	121 4.764	165 6.496	2326K	22326CK	4.60 10.143
H2328	140 5.5118	125 4.921	131 5.157	180 7.087	2328K	22328CK	5.55 12.238
H2330	150 5.9055	135 5.315	139 5.472	195 7.677	2330K	22330CK	6.63 14.619
H2332	160 6.2992	140 5.512	147 5.787	210 8.268	2332K	22332CK	9.14 20.154
H2334	170 6.6929	150 5.906	154 6.063	220 8.661	2334K	22334CK	10.20 22.491
H2336	180 7.0866	160 6.299	161 6.339	230 9.055	2336K	22336CK	11.30 24.917
H2338	190 7.4803	170 6.693	169 6.654	240 9.449	2338K	22338CK	12.60 27.783
H2340	200 7.8740	180 7.087	176 6.929	250 9.843	2340K	22340CK	13.90 30.650
H2344	220 8.6614	200 7.874	186 7.323	280 11.024	2344K	22344CK	16.70 36.824
H2348	240 9.4488	220 8.661	199 7.835	300 11.811	2348K	22348CK	19.70 43.439
H2352	260 10.2362	240 9.449	211 8.307	330 12.992	2352K	22352CK	24.20 53.361
H2356	280 11.0236	260 10.236	224 8.819	350 13.780	2356K	22356CK	27.80 61.299

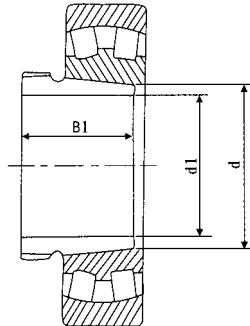


H32 Series

Type	Dimensions mm(in)				Compatible Bearing	Weight kg (lb)
	d	d ₁	B ₁	d ₂	Ball Bearing	
H3260	300 11.8110	280 11.024	240 9.449	380 14.961	23260CK	34.00 74.970
H3264	320 12.5984	300 11.811	258 10.157	400 15.748	23264CK	39.40 86.877
H3268	340 13.3858	320 12.598	288 11.339	440 17.323	23268CK	54.00 119.070
H3272	360 14.1732	340 13.286	299 11.772	460 18.110	23272CK	60.20 132.741
H3276	380 14.9606	360 14.173	310 12.205	490 19.291	23276CK	69.60 153.468
H3280	400 15.7480	380 14.961	328 12.913	520 20.472	23280CK	81.00 178.605
H3284	420 16.5354	400 15.748	352 13.858	540 21.260	23284CK	94.00 207.270
H3288	440 17.3228	410 16.142	361 14.213	560 22.047	23288CK	118.00 260.190
H3292	460 18.1102	430 16.929	382 15.039	580 22.835	23292CK	132.00 291.060
H3296	480 18.8976	450 17.717	397 15.630	620 24.409	23294CK	150.00 330.750
H32/500	500 19.6850	470 18.504	428 16.850	630 24.803	232/500CK	166.00 366.030

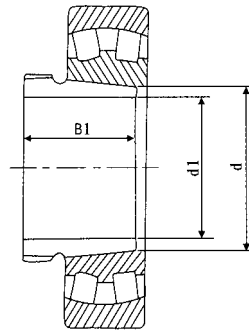
**ADAPTER SLEEVE
METRIC & INCH SIZE DESIGNATION**

No	SIZE	H200	H300	H2300
H05	20MM	116	137	156
HE-05	3/4	116	137	156
H06	25MM	126	146	163
HS-06	7/8	133	153	171
HA-06	15/16	139	161	179
HE-06	1"	126	146	165
H07	30MM	140	177	182
HS-07	1-1/8	140	177	182
HA-07	1-3/16	140	177	182
H08	35MM	148	182	190
HS-08	1-3/8	155	193	200
HE-08	1-1/4	148	182	190
H09	40MM	194	203	203
HA-09	1-7/16	203	214	214
HE-09	1-1/2	194	203	203
H10	45MM	209	218	226
HS-10	1-5/8	219	229	238
HA-10	1-11/16	230	341	406
HE-10	1-3/4	209	218	226
H11	50MM	243	278	321
HS-11	1-7/8	268	306	353
HA-11	1-15/16	255	292	337
HE-11	2"	243	278	321
H12	55MM	274	314	399
HS-12	2-1/8	269	330	561
HE-12	2-1/4	342	314	399
H13	60MM	342	412	503
HA-13	2-3/16	360	433	840
HE-13	2-1/4	342	412	503
HS-13	2-3/8	377	454	553
H14	60MM	508	647	895
H15	65MM	531	614	795
HA-15	2-7/16	557	645	837
HE-15	2-1/2	531	614	795
H16	70MM	635	701	957
HA-16	2-11/16	667	736	1006
HE-16	2-3/4	635	701	957
H17	75MM	822	950	1104
HA-17	2-15/16	863	998	1160
HE-17	3"	822	950	1104
H18	80MM	944	1087	1288
HS-18	3-1/8	1221	1455	1703
HA-18	3-3/16	991	1142	1352
HE-18	3-1/4	944	1087	1288
H19	85MM	1138	1293	1688
HE-19	3-1/4	1138	1293	1688
H20	90MM	1198	1359	1777
HA-20	3-7/16	1258	1427	1866
HE-20	3-1/2	1198	1359	1777
H21	95MM	1438	1725	2123
HA-22	3-15/16	1589	1906	2230
HE-22	4"	1513	1815	2123



AH2 Series

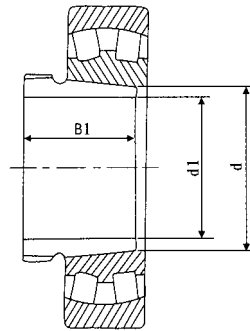
Type	Dimensions mm(in)				Compatible Bearing	Weight kg (lb)
	d	d ₁	B ₁	G	Ball Bearing	
AH208	40 1.5748	35 1.378	25 0.984	M45X1.5	1208K	0.09
AH209	45 1.7716	40 1.575	26 1.024	M50X1.5	12.09K	0.10
AH210	50 1.9685	45 1.772	28 1.102	M55X2	12.10K	0.13
AH211	55 2.1653	50 1.969	29 1.142	M60X2	1211K	0.17
AH212	60 2.3622	55 2.165	32 1.260	M65X2	1212K	0.18
AH213	65 2.5590	60 2.362	32.5 1.280	M75X2	1213K	0.24
AH214	70 2.7559	65 2.559	33.5 1.319	M80X2	1214K	0.26
AH215	75 2.9527	70 2.756	34.5 1.358	M85X2	1215K	0.28
AH216	80 3.1496	75 2.953	35.5 1.398	M90X2	1216K	0.31
AH217	85 3.3464	80 3.150	38.5 1.516	:95X2	1217K	0.35
AH218	90 3.5433	85 3.346	40 1.575	M100X2	1218K	0.43
AH219	95 3.7401	90 3.543	43 1.693	M105X2	1219K	0.49
AH220	100 3.9370	95 3.740	45 1.772	M110X2	1220K	0.53
AH222	110 4.3307	105 4.134	50 1.969	M120X2	1222K	0.65
AH224	120 4.7244	115 4.528	53 2.087	M130X2	1224K	0.76



AH3 Series

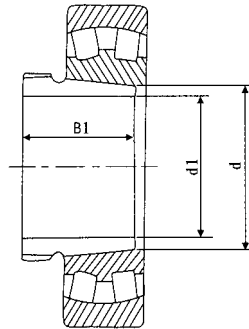
Type	Dimensions mm(in)				Compatible Bearing				Weight kg (lb)
	d	d ₁	B ₁	G	Ball Bearing		Roller Bearing		
AH308	40 1.5748	35 1.378	29 1.142	M45X1.5	2208K	1308K	2208K	21308K	0.09 0.118
AH309	45 1.7716	40 1.575	31 1.220	M50X1.5	2209K	1309K	2209K	21309K	0.11 0.243
AH310	50 1.9685	45 1.772	35 1.378	M55X2	2210K	1310K	2210K	21310K	0.14 0.309
AH311	55 2.1653	50 1.969	37 1.457	M60X2	2211K	1311K	2211K	21311K	0.16 0.353
AH312	60 2.3622	55 2.165	40 1.575	M65X2	2212K	1312K	2212K	21312K	0.19 0.419
AH313	65 2.5590	60 2.362	42 1.654	M75X2	2213K	1313K	2213K	21313K	0.25 0.551
AH314	70 2.7559	65 2.559	43 1.693	M80X2	2214K	1314K	2214K	21314K	0.28 0.617
AH315	75 2.9527	70 2.756	45 1.772	M85X2	2215K	1315K	2215K	21315K	0.31 0.684
AH316	80 3.1496	75 2.953	48 1.890	M90X2	22216K	1316K	2216K	21316K	0.37 0.816
AH317	85 3.3464	80 3.150	52 2.047	M95X2	2217K	1317K	2217K	21317K	0.43 0.948
AH318	90 3.5433	85 3.346	53 2.087	M100X2	2218K	1318K	2218K	21318K	0.46 1.014
AH319	95 3.7401	90 3.543	57 2.244	M105X2	2219K	1319K	2219K	21319K	0.53 1.169
AH320	100 3.9370	95 3.740	59 2.323	M110X2	2220K	1320K	2220K	21320K	0.58 1.278
AH322	110 4.3307	105 4.134	63 2.480	M120X2	2222K	1322K	2222K	21322K	0.66 1.455
AH324	120 4.7244	115 4.528	69 2.717	M130X2	2224K	1324K	2224K	21324K	0.88 1.940

Type	Dimensions mm(in)				Compatible Bearing		Weight kg (lb)
	d	d ₁	B ₁	G	Roller Bearing		
AH2236	180 7.0866	170 6.693	105 4.134	M200X3	22236K		3.73 8.225
AH2238	190 7.4803	180 7.087	112 4.409	T210X4	22238K		4.25 9.371
AH2240	200 7.8740	190 7.480	118 4.646	T220X4	22240K		4.68 10.319
AH2244	220 8.6614	200 7.874	130 5.118	T240X4	22244K		9.10 20.066
AH2248	240 9.4488	220 8.661	144 5.669	T260X4	22248K		11.10 24.476
AH2252	260 10.2362	240 9.449	155 6.102	T290X4	22252K		14.00 30.870
AH2256	280 11.0236	260 10.236	155 6.102	T310X5	22256K		15.20 33.516
AH2260	300 11.8110	280 11.024	170 6.693	T330X5	22260K		18.10 39.911
AH2264	320 12.5984	300 11.811	180 7.087	T3500X5	22260K		20.20 44.541



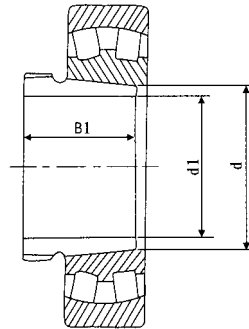
AH31 Series

Type	Dimensions mm(in)				Compatible Bearing		Weight kg (lb)
	d	d ₁	B ₁	G	Roller Bearing		
AH3120	100 3.9370	95 3.740	64 2.520	M110X2	23120K	22220K	0.65 1.433
AH3122	110 4.3307	105 4.134	68 2.677	M120X2	23122K	22222K	0.76 1.676
AH3124	120 4.7244	115 4.528	75 2.953	M130X2	23124K	22224K	0.95 2.095
AH3126	130 5.1118	125 4.921	78 3.071	M140X2	23126K	22226K	1.08 2.381
AH3128	140 5.5118	135 5.315	83 3.268	M150X2	23128K	22228K	1.28 2.822
AH3130	150 5.9055	145 5.709	96 3.780	M165X3	23130K	22230K	1.79 3.947
AH3132	160 6.2992	150 5.906	103 4.055	M180X3	23132K	22232K	3.20 7.056
AH3134	170 6.6929	160 6.299	104 4.094	M190X3	23134K	22234K	3.50 7.718
AH3136	180 7.0866	170 6.693	116 4.567	M200X3	23136K	22236K	4.20 9.261
AH3138	190 7.4803	180 7.087	125 4.921	T210X4	23138K	22238K	4.90 10.805
AH3140	200 7.8740	190 7.480	134 5.276	T220X4	23140K	22240K	5.60 12.348
AH3144	220 8.6614	200 7.874	145 5.709	T240X4	23144K	22244K	10.40 22.932
AH3148	240 9.4488	220 8.661	154 6.063	T260X4	23148K	22248K	12.10 26.681
AH3152	260 10.2362	240 9.449	172 6.772	T290X4	23152K	22252K	16.20 35.721
AH3156	280 11.0236	260 10.236	175 6.890	T310X5	23156K	22256K	17.60 38.808
AH3160	300 11.8110	280 11.024	192 7.559	T330X5	23160K	22260K	21.00 46.305
AH3164	320 12.5984	300 11.811	209 8.228	T350X5	23164K	22264K	24.70 54.464
AH3168	340 13.3858	320 12.598	225 8.858	T370X5	23168K	22268K	29.00 63.945
AH3172	360 14.1732	260 10.236	175 6.890	T400X5	23172K	22272K	33.10 72.986
AH3176	380 14.9606	340 13.386	229 9.016	T420X5	23176K	22276K	35.80 78.939
AH3180	400 15.7480	360 14.173	232 9.134	T440X5	23180K	22280K	39.60 87.318
AH3184	420 16.5354	400 15.748	260 10.236	T460X5	23184K	22284K	46.80 103.194
AH3188	440 17.3228	420 16.535	270 10.630	T480X5	23188K	22288K	50.20 110.691
AH3192	460 18.1102	440 17.323	285 11.220	T510X6	23192K	22292K	57.80 127.449
AH3196	480 18.8976	460 18.110	295 11.614	T530X6	23196K	22296K	63.50 140.018
AH31/500	500 19.6850	480 18.898	313 12.323	T550X6	231/500K	222/500K	70.80 156.114



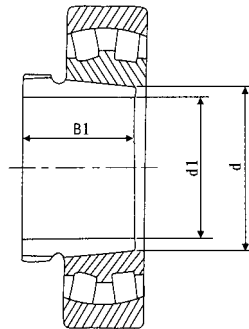
AH32 Series

Type	Dimensions mm(in)				Compatible Bearing	Weight kg (lb)
	d	d ₁	B ₁	G	Roller Bearing	
AH3218	90 3.5433	85 3.346	63 2.480	M100X2	23218K	0.57 1.257
AH3219	95 3.7401	90 3.543	67 2.638	M105X2	23219K	
AH3220	100 3.9370	95 3.740	73 2.874	M110X2	23220K	0.77 1.698
AH3222	110 4.3307	105 4.134	82 3.228	M125X2	23222K	1.04 2.293
AH3224	120 4.7244	115 4.528	90 3.543	M135X2	23224K	1.30 2.867
AH3226	130 5.1181	125 4.921	98 3.858	M145X2	23226K	1.60 3.528
AH3228	140 5.5118	135 5.315	105 4.094	M155X3	23228K	1.90 4.190
AH3230	150 5.9055	145 5.709	114 4.488	M165X3	23230K	2.30 5.072
AH3232	160 6.2992	150 5.906	124 4.882	M180X3	23232K	4.09 9.018
AH3234	170 6.6929	160 6.299	134 5.276	M190X3	23234K	4.81 10.606
AH3236	180 7.0866	170 6.693	140 5.512	M200X3	23236K	5.31 11.709
AH3238	190 7.4803	180 7.087	145 5.709	T210X4	23238K	5.90 13.010
AH3240	200 7.8740	190 7.480	153 6.024	T220X4	23240K	6.67 14.707
AH3260	300 11.81102	280 11.024	228 8.976	T330X5	23260K	26.0 57.330
AH3264	320 12.5984	300 11.811	246 9.685	T350X5	23264K	30.6 67.473
AH3268	340 13.3858	320 12.598	264 10.394	T370X5	23268K	35.8 78.939
AH3272	360 14.1732	340 13.386	274 10.787	T400X5	23272K	41.6 91.728
AH3276	380 14.9606	360 14.173	284 11.181	T420X5	23276K	46.3 102.092
AH3280	400 15.7480	380 14.961	302 11.890	T440X5	23280K	52.5 115.763
AH3284	420 16.5354	400 15.748	321 12.638	T460X5	23284K	59.7 131.639
AH3288	440 17.3228	420 16.535	330 12.992	T480X5	23288K	64.8 142.884
AH3292	460 18.1102	440 17.323	349 13.740	T510X6	23292K	75.2 165.816
AH3296	480 18.8976	460 18.110	364 14.331	T530X6	23296K	83.1 183.236
AH32/500	500 19.6850	480 18.898	393 15.472	T550X6	232/500	94.7 208.814



AH23 Series

Type	Dimensions mm(in)				Compatible Bearing		Weight kg (lb)
	d	d ₁	B ₁	G	Ball Bearing	Roller Bearing	
AH2308	40 1.5748	35 1.378	40 1.575	M45X1.5	2308K	22308K	0.13 0.287
AH2309	45 1.7716	40 1.575	44 1.732	M50X1.5	2309K	22309K	0.16 0.353
AH2310	50 1.9685	45 1.772	50 1.969	M55X2	2310K	22310K	0.21 0.463
AH2311	55 2.1653	50 1.969	54 2.126	M60X2	2311K	22311K	0.25 0.551
AH2312	60 2.3622	55 2.165	58 2.283	M65X2	2312K	22312K	0.30 0.662
AH2313	65 2.5590	60 2.362	61 2.402	M75X2	2313K	22313K	0.36 0.794
AH2314	70 2.7559	65 2.559	64 2.520	M80X2	2314K	22314K	0.47 1.036
AH2315	75 2.9527	70 2.756	68 2.677	M85X2	2315K	22315K	0.53 1.169
AH2316	80 3.1496	75 2.953	71 2.795	M90X2	2316K	22316K	0.60 1.323
AH2317	85 3.3464	80 3.150	74 2.913	M95X2	2317K	22317K	0.67 1.477
AH2318	90 3.5433	85 3.346	79 3.110	M100X2	2318K	22318K	0.78 1.720
AH2319	95 3.7401	90 3.543	85 3.346	M105X2	2319K	22319K	0.89 1.962
AH2320	100 3.9370	95 3.740	90 3.543	M110X2	2320K	22320K	0.95 2.095
AH2322	110 4.3307	105 4.134	98 3.858	M125X2	2322K	22322K	1.35 2.977
AH2324	120 4.7244	115 4.528	105 4.134	M135X2	2324K	22324K	1.60 3.528
AH2326	130 5.1181	125 4.921	115 4.528	M145X2	2326K	22326K	2.00 4.410
AH2328	140 5.5118	135 5.315	125 4.921	M155X3	2328K	22328K	2.33 5.138
AH2330	150 5.9055	145 5.709	135 5.315	M165X3	2330K	22330K	2.80 6.174
AH2332	160 6.2992	150 5.906	140 5.512	M180X3	2332K	22332K	4.72 10.408
AH2334	170 6.6929	160 6.299	146 5.748	M190X3	2334K	22334K	5.30 11.687
AH2336	180 7.0866	170 6.693	154 6.063	M200X3	2336K	22336K	5.90 13.010
AH2338	190 7.4803	180 7.087	160 6.299	T210X4	2338K	22338K	6.50 14.333
AH2340	200 7.8740	190 7.480	170 6.693	T220X4	2340K	22340K	7.50 16.538
AH2344	220 8.6614	200 7.874	181 7.126	T240X4	2344K	22344K	13.40 29.547
AH2348	240 9.4488	220 8.661	189 7.441	T260X4	2348K	22348K	15.50 34.178
AH2352	260 10.2362	240 9.449	205 8.071	T290X4	2352K	22352K	20.00 44.100
AH2356	280 11.0236	260 10.236	212 8.346	T310X5	2356K	22356K	21.50 47.408



AH30 Series

Type	Dimensions mm(in)				Compatible Bearing	Weight kg (lb)
	d	d ₁	B ₁	G	Roller Bearing	
AH3024	120 4.72441	115 4.528	60 2.362	M130X2	23024K	0.75 1.654
AH3026	130 5.11811	125 4.921	67 2.638	M140X2	23026K	0.93 2.051
AH3028	140 5.51181	135 5.315	68 2.677	M150X2	23028K	1.01 2.227
AH3030	150 5.90551	145 5.709	72 2.835	M160X3	23030K	1.15 2.536
AH3032	160 6.29921	150 5.906	77 3.031	M170X3	23032K	2.10 4.631
AH3034	170 6.69291	160 6.299	85 3.346	M180X3	23034K	2.50 5.513
AH3036	180 7.08661	170 6.693	92 3.622	M190X3	23036K	2.90 6.395
AH3038	190 7.48031	180 7.087	96 3.780	T205X4	23038K	3.50 7.497
AH3040	200 7.87402	190 7.480	102 4.016	T215X4	23040K	3.80 8.379
AH3044	220 8.66142	200 7.874	111 4.370	T235X4	23044K	7.40 16.317
AH3048	240 9.44882	220 8.661	116 4.567	T260X4	23048K	8.80 19.404
AH3052	260 10.23622	240 9.449	128 5.039	T280X4	23052K	10.70 23.594
AH3056	280 11.02362	260 10.236	131 5.157	T300X4	23056K	12.00 26.460
AH3060	300 11.81102	280 11.024	145 5.709	T320X5	23060K	14.40 31.752
AH3064	320 12.59843	300 11.811	149 5.866	T345X5	23064K	16.00 35.280
AH3068	340 13.38583	320 12.598	162 6.378	T365X5	23068K	19.50 42.998
AH3072	360 14.17323	340 13.386	167 6.575	T385X5	23072K	21.00 46.305
AH3076	380 14.96063	360 14.173	170 6.693	T410X5	23076K	23.50 51.818
AH3080	400 15.74803	380 14.961	183 7.205	T430X5	23080K	27.30 60.197
AH3084	420 16.53543	400 15.748	186 7.323	T450X5	23084K	29.00 63.945
AH3088	440 17.32283	420 16.535	194 7.638	T470X5	23088K	32.00 70.560
AH3092	460 18.11024	440 17.323	202 7.953	T490X5	23092K	35.20 77.616
AH3096	480 18.89764	460 18.110	205 8.071	T520X5	23096K	39.20 86.436
AH30/500	500 19.68504	480 18.898	209 8.228	T510X5	230/500K	42.50 93.713