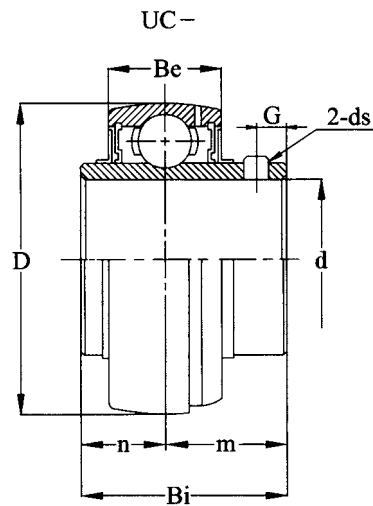


Shaft Diameter mm (in)	UNIT Number	UNIT Number	D		Bi		Be	
			mm	in	mm	in	mm	in
			20		UC204	47.00		31.00
	3/4	UC204-12		1.8504		1.2205		0.6693
25		UC205	52.00		34.10		17.00	
	7/8	UC205-14						
	15/16	UC205-15		2.0475		1.3425		0.6693
	1	UC205-16						
30		UC206	62.00		38.10		19.00	
	1~1/8	UC206-18						
	1~3/16	UC206-19		2.4409		1.5000		0.7480
	1~1/4	UC206-20						
35		UC207	72.00		42.90		20.00	
	1~1/4	UC207-20						
	1~5/16	UC207-21						
	1~3/8	UC207-22		2.8346		1.6890		0.7874
	1~7/16	UC207-23						
40		UC208	80.00		49.20		21.00	
	1~1/2	UC208-24		3.1496		1.9370		0.8268
	1~9/16	UC208-25						
45		UC209	85.00		49.20		22.00	
	1~5/8	UC209-26						
	1~11/16	UC209-27		3.3465		2.0315		0.8661
	1~3/4	UC209-28						
50		UC210	90.00		51.60		24.00	
	1~7/8	UC210-30						
	1~15/16	UC210-31		3.5433		2.1890		0.9449
55		UC211	100.00		55.60		25.00	
	2	UC211-32						
	2~1/8	UC211-34		3.9370		3.9370		0.9843
55	2-3/16	UC211-35						



Dimensions								Weight
n		m		G		ds		kg
mm	in	mm	in	mm	in	mm	in	
12.70		18.30		5.00		M6X1.0		0.16
	0.5000		0.7205		0.1969	1/4-28UNF	1/4-28UNF	0.16
14.30		19.80		5.50		M6X1.0		0.20
								0.23
	0.5630		0.7795		0.2165	1/4-28UNF	1/4-28UNF	0.21
								0.20
159.90		22.20		6.00		M6X1.0		0.32
								0.34
	0.6260		0.8740		0.2362	1/4-28UNF	1/4-28UNF	0.32
								0.32
17.50		25.40		6.50		M8X1.0		0.48
								0.54
								0.51
	0.6890		1.0000		0.2559	5/16-24UNF	5/16-24UNF	0.48
								0.45
19.00		30.20		8.00		M8X1.0		0.64
	0.7480		1.1890		0.3150	5/16-24UNF	5/16-24UNF	0.68
								0.65
19.00		30.20		8.00		M8X1.0		0.68
								0.78
	0.7480		1.1890		0.3150	5/16-24UNF	5/16-24UNF	0.74
								0.70
19.00		32.60		9.00		M10X1.25		0.80
								0.87
	0.7480		1.2835		0.3543	3/8-24UNF	3/8-24UNF	0.82
								0.75
12.50		43.10		9.00		M10X1.25		1.11
								1.26
	0.4291		1.6969		0.3543		3/8-24UNF	1.15
								1.09